

# PV



1.5 - 40 TON

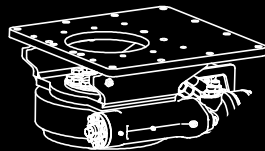
## VIBRATING PLATE COMPACTORS

PV 300 | PV 450 | PV 600 | PV 700 | PV 850

Designed to compact any surface, Simex PV vibrating plate compactors are an excellent solution for achieving a solid, even, and well-compacted bottom that will never give way. Possibility to mount the rotation device allows compaction in any position, even in the most difficult-to-reach spots. No routine maintenance is needed. Vibrating oil bath provides for internal lubrication.

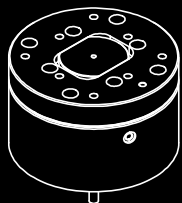
WATCH THE VIDEO

Scan the QR code using your smartphone



### 360° HYDRAULIC ROTATION (OPTIONAL):

activated from the cabin, allows compaction in any position, even in the most difficult-to-reach spots.



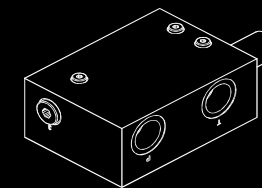
### 135° MECHANICAL ROTATION WITH HYDRAULIC LOCKING (OPTIONAL):

available on models PV 300, PV 450, PV 600. Does not require additional hydraulic control.



End-of-stroke pad

Flow and pressure limiting valve ensures perfect coupling with variety of excavators.



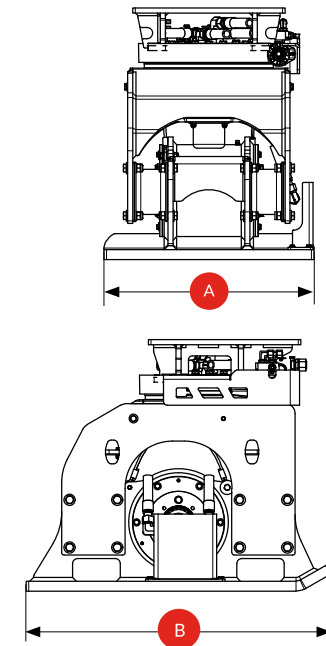
Central vibrating unit, powered by hydraulic motor

**SIMEX**  
• patented •

Scan the QR code using your smartphone



TECHNICAL DATA		PV 300	PV 450	PV 600	PV 700	PV 850
Recommended excavator weight	ton lbs	1.5 - 5 3300 - 11000	4 - 10 8800 - 22000	6 - 15 13000 - 33000	12 - 25 26400 - 55000	20 - 40 44000 - 88000
Plate dimensions	<b>A</b> x <b>B</b> mm inch	290 x 780 11 x 31	440 x 850 17 x 34	550 x 920 22 x 36	690 x 1160 27 x 45	840 x 1220 33 x 48
Vibration frequency	n/min vpm	2100	2100	2100	2100	2100
Compaction force	kN lbf	15 3400	27 6000	34 7650	75 16900	93 20900
Weight without mounting bracket (1)	kg lbs	185 410	310 685	415 915	740 1630	1005 2215
Required oil pressure	BAR psi	160 2320	160 2320	160 2320	160 2320	160 2320
Required oil flow	l/min gpm	30 8	57 15	75 20	110 29	155 41



(1) The installer is responsible for ensuring that the equipment meets the excavator's specifications and weight requirement. Simex does not accept responsibility or liability for the information provided. Technical modifications may vary without prior notice.



Compaction of trenches after laying underground utilities



Compaction of building foundations



360° Hydraulic rotation (optional)