

Technical specifications



**SKIDSTEER LOADERS LOW FLOW
UP TO 80 HP**

**MINI EXCAVATORS
3 - 5 T (6,600 - 11,000 Lbs)**

**54 AUGERS
100mm-900mm (4 in. - 36 in.) Dia**

Torque Range: 1,500-4,499 Nm (1,106-3,318 ft-lb)

Oil Pressure Range: 80-240 Bar (1,160-3,481 psi)

Oil Flow Range: 50-95 lpm (13-25 gpm)

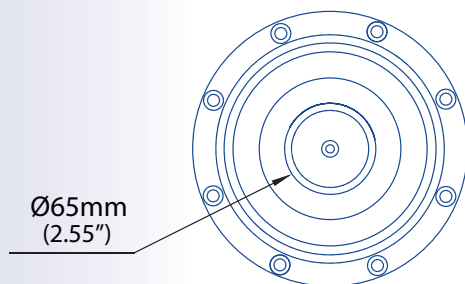
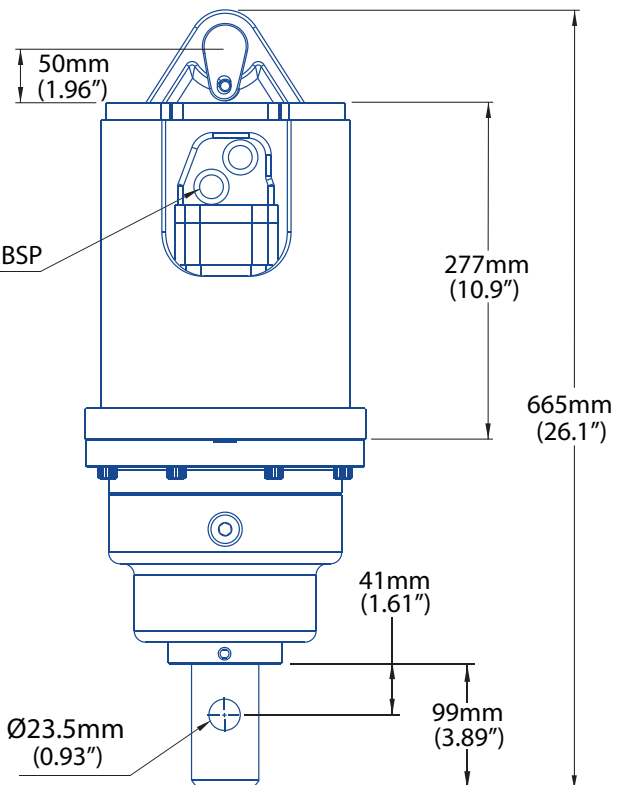
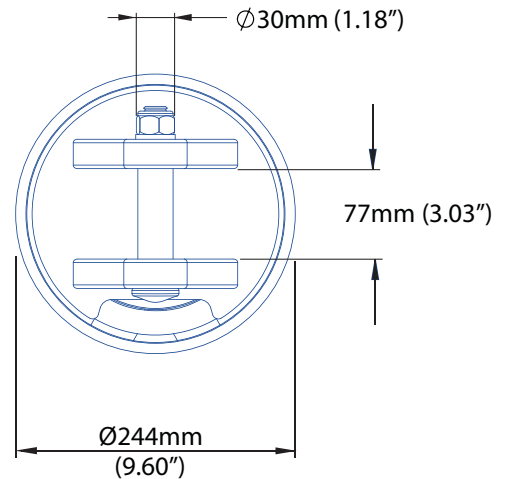
Speed Range: 43-81 rpm

Unit Weight: 75 kg (165 lbs)

Hitch Options: Single Pin Hitch
Double Pin Hitch
Cradle Hitch

Output Shaft Std: 65mm (2.56") Round

Output Shaft Opt: 2" (50.8mm) Hex
57mm (2.25") Square



HOSE PORT \varnothing 1/2" BSP