

### Technical specifications



**SKIDSTEER LOADERS LOW FLOW  
UP TO 65 HP**

**MINI EXCAVATORS  
2.5 - 4.5 T (5,500 - 9,900 Lbs)**

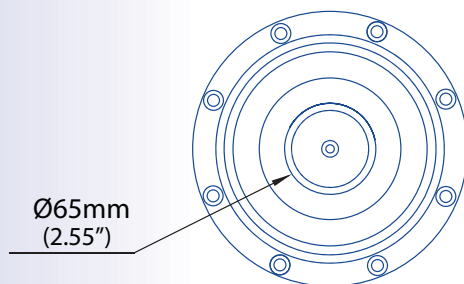
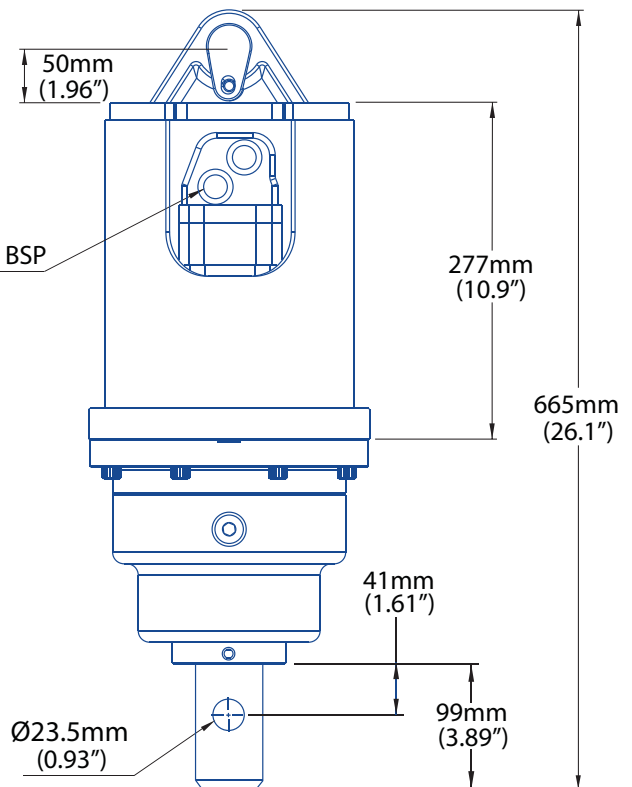
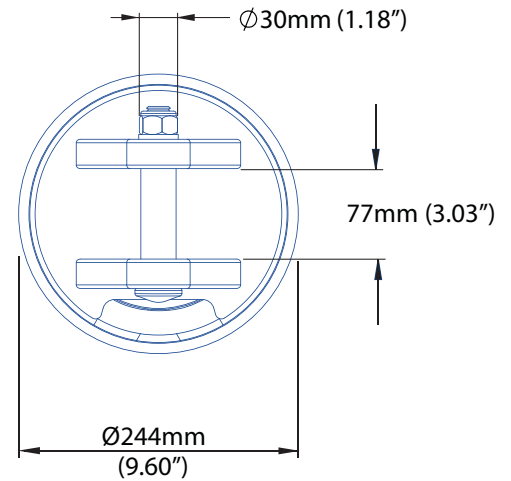
**S4 AUGERS  
100mm-750mm (4 in. - 30 in.) Dia**

Torque Range: 1,205-3,614 Nm (888-2,665 ft-lb)  
 Oil Pressure Range: 80-240 Bar (1,160-3,481 psi)  
 Oil Flow Range: 40-85 lpm (11-22 gpm)  
 Speed Range: 42-90 rpm

Unit Weight: 73 kg (161 lbs)

Hitch Options: Single Pin Hitch  
 Double Pin Hitch  
 Cradle Hitch

Output Shaft Std: 65mm (2.56") Round  
 Output Shaft Opt: 2" (50.8mm) Hex  
 57mm (2.25") Square



HOSE PORT Ø 1/2" BSP