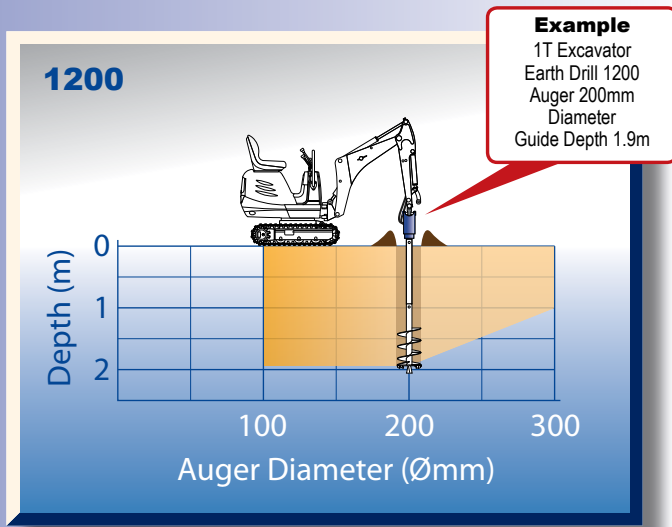


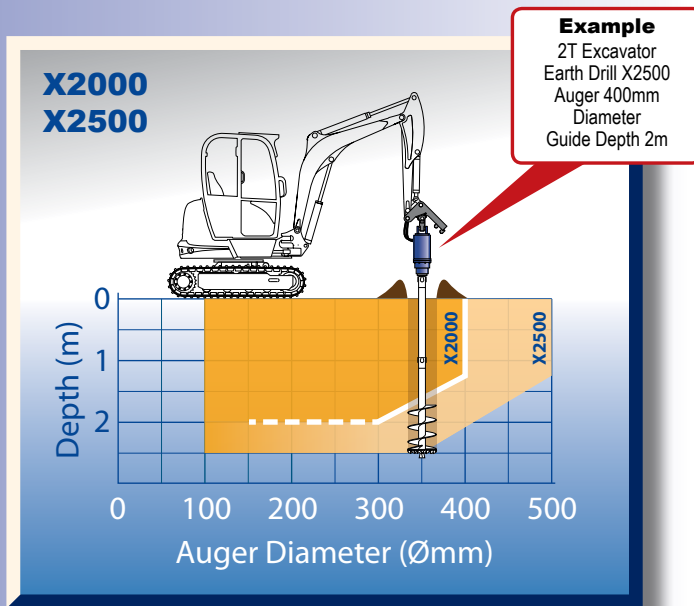
# Earth Drill Capability



**Micro Excavators**  
750kg - 1 Tonne

**Auger Torque Europe Ltd**  
Hazleton • Cheltenham • GL54 4DX • England  
Phone: +44 (0) 1451 861652 • Fax: +44 (0) 1451 861660  
Email: [sales@augertorque.com](mailto:sales@augertorque.com)

# Earth Drill Capability

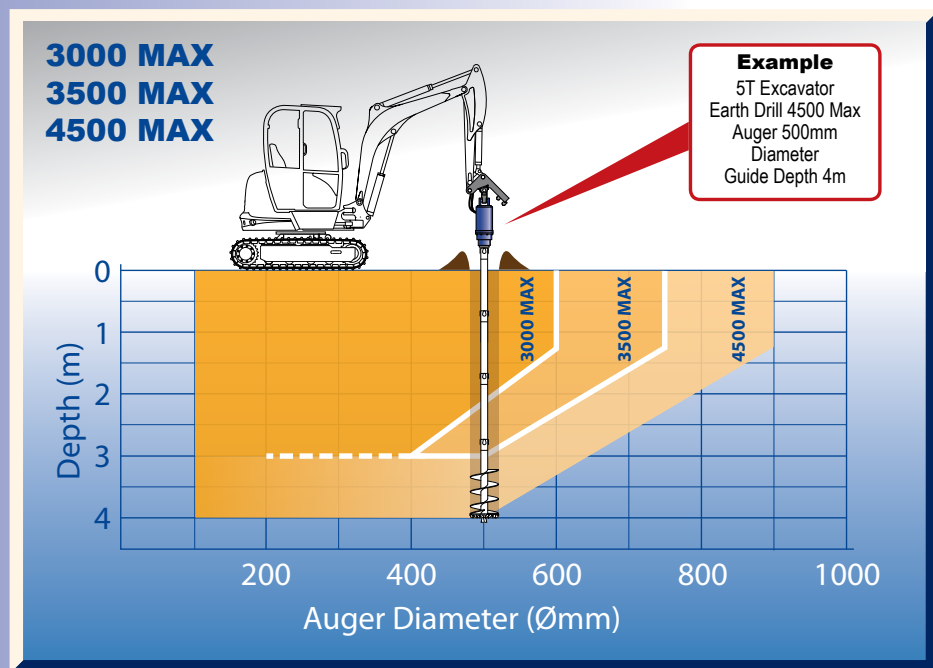


## Mini Excavators (1) 1 - 5 Tonnes

### Auger Torque Europe Ltd

Hazleton • Cheltenham • GL54 4DX • England  
Phone: +44 (0) 1451 861652 • Fax: +44 (0) 1451 861660  
Email: [sales@augertorque.com](mailto:sales@augertorque.com)

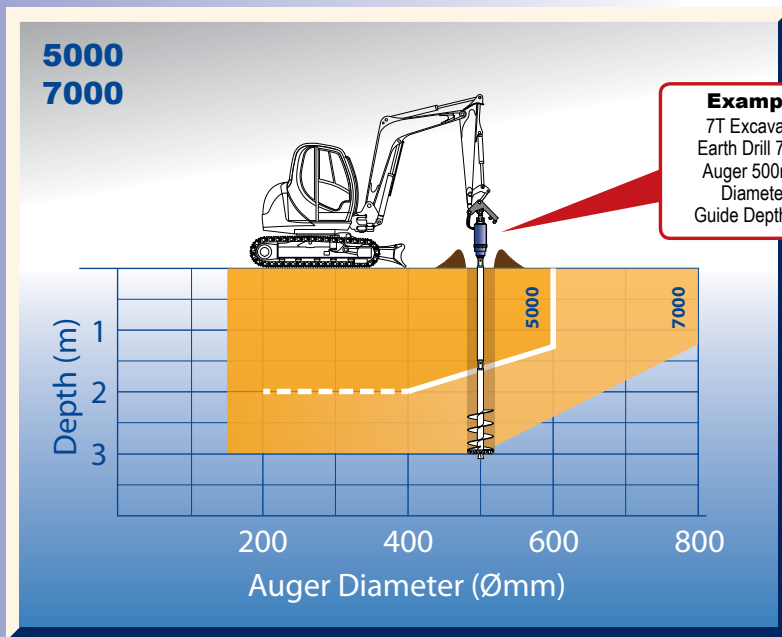
# Earth Drill Capability



## Mini Excavators (2) 1 - 5 Tonnes

### Auger Torque Europe Ltd

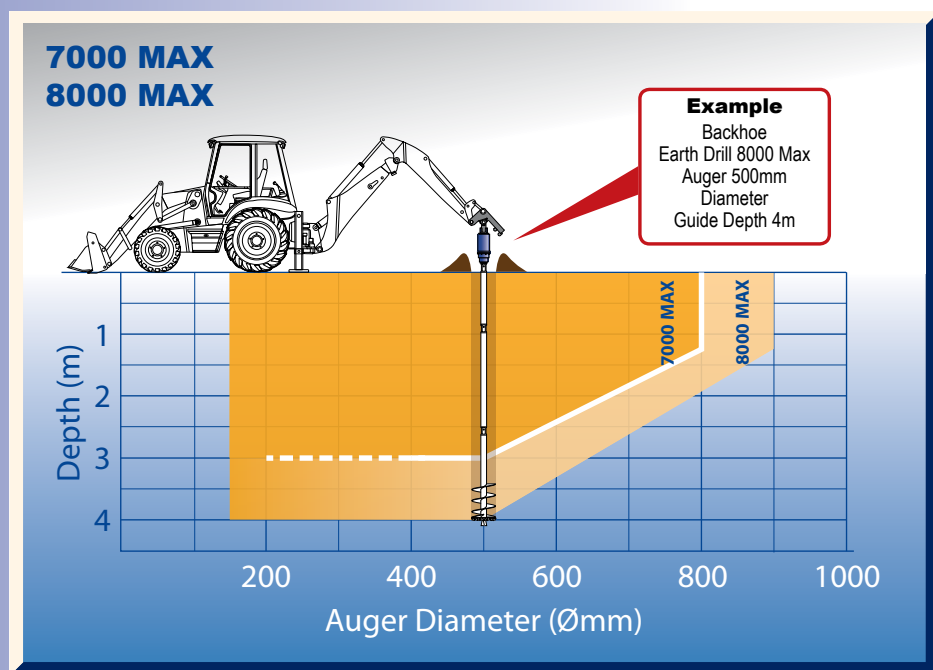
Hazleton • Cheltenham • GL54 4DX • England  
Phone: +44 (0) 1451 861652 • Fax: +44 (0) 1451 861660  
Email: [sales@augertorque.com](mailto:sales@augertorque.com)



## Excavators & Backhoes (1) 4.5 - 8 Tonnes

### Auger Torque Europe Ltd

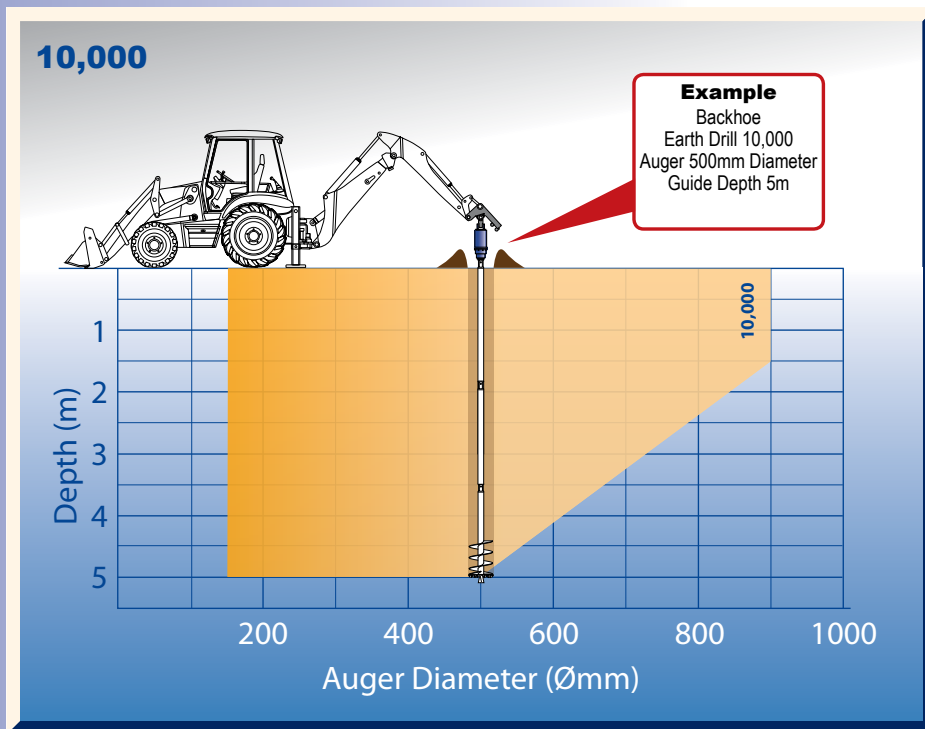
Hazleton • Cheltenham • GL54 4DX • England  
Phone: +44 (0) 1451 861652 • Fax: +44 (0) 1451 861660  
Email: [sales@augertorque.com](mailto:sales@augertorque.com)



## Excavators & Backhoes (2) 4.5 - 8 Tonnes

### Auger Torque Europe Ltd

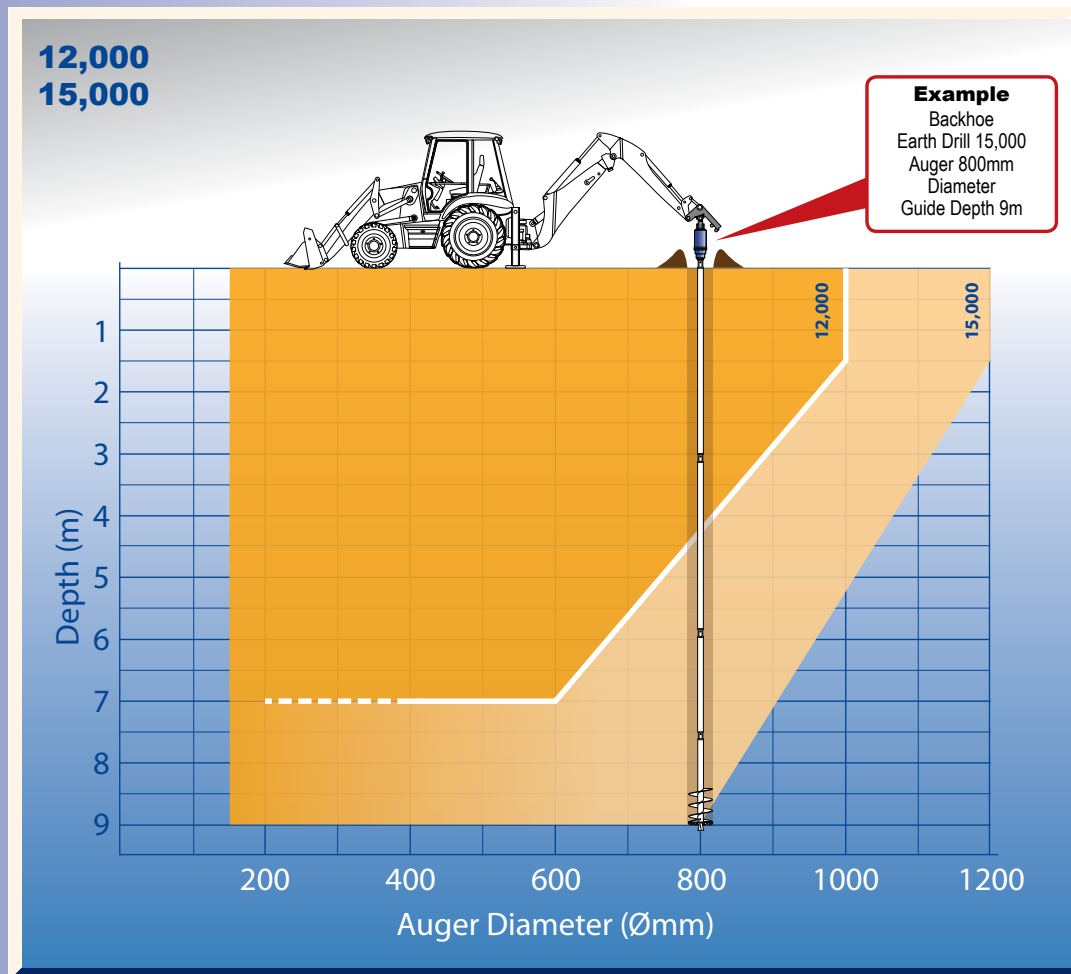
Hazleton • Cheltenham • GL54 4DX • England  
Phone: +44 (0) 1451 861652 • Fax: +44 (0) 1451 861660  
Email: [sales@augertorque.com](mailto:sales@augertorque.com)



## Backhoes (1) Large Diameter & Deep Hole

**Auger Torque Europe Ltd**  
Hazleton • Cheltenham • GL54 4DX • England  
Phone: +44 (0) 1451 861652 • Fax: +44 (0) 1451 861660  
Email: [sales@augertorque.com](mailto:sales@augertorque.com)

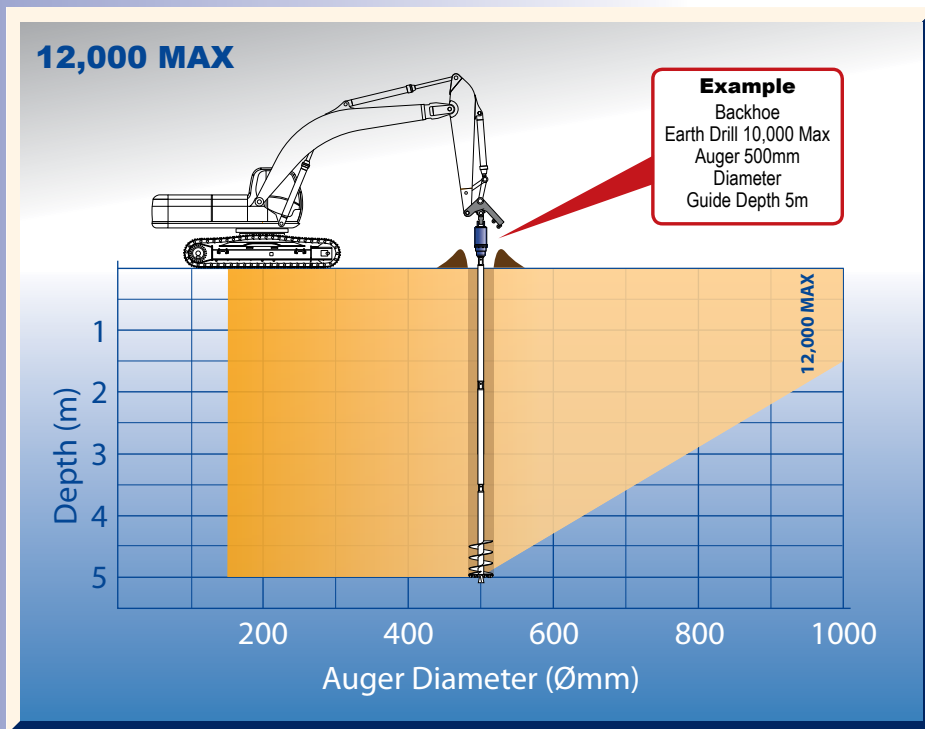
# Earth Drill Capability



## Backhoes (2) Large Diameter & Deep Hole

**Auger Torque Europe Ltd**  
Hazleton • Cheltenham • GL54 4DX • England  
Phone: +44 (0) 1451 861652 • Fax: +44 (0) 1451 861660  
Email: [sales@augertorque.com](mailto:sales@augertorque.com)

# Earth Drill Capability

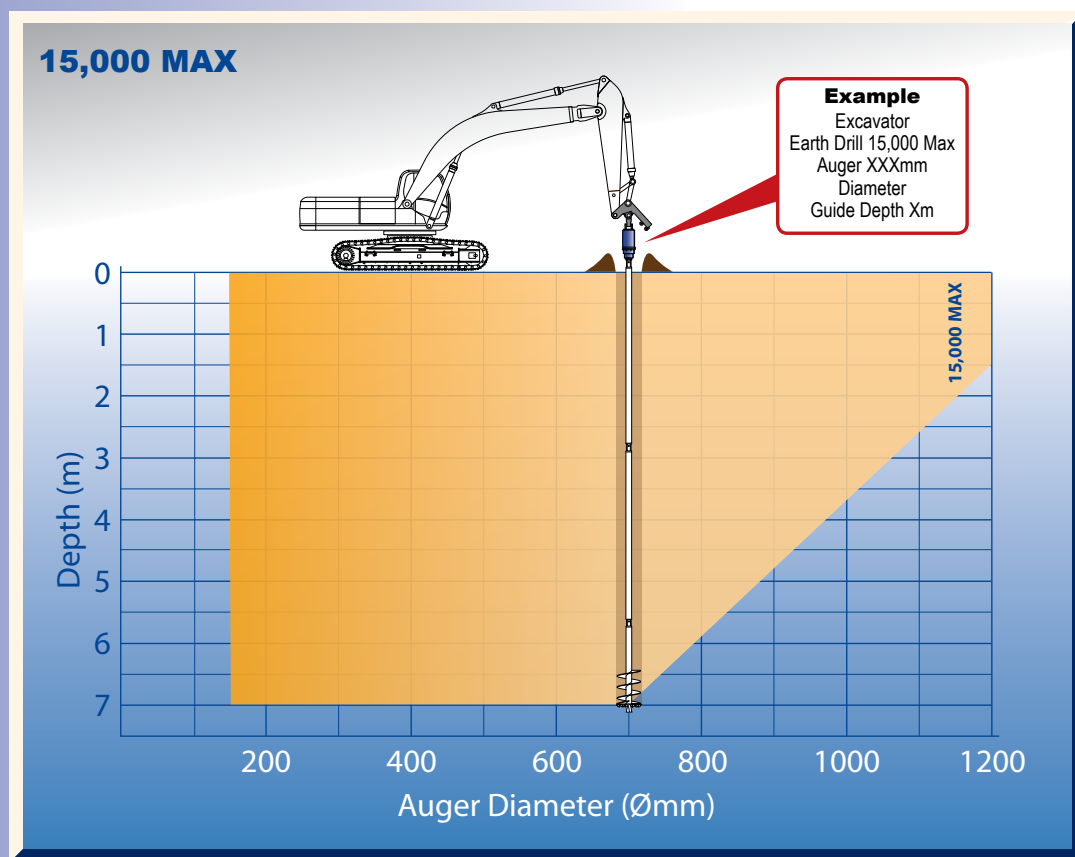


**Excavators (1)**  
8 - 20 Tonnes

**Auger Torque Europe Ltd**  
Hazleton • Cheltenham • GL54 4DX • England  
Phone: +44 (0) 1451 861652 • Fax: +44 (0) 1451 861660  
Email: [sales@augertorque.com](mailto:sales@augertorque.com)



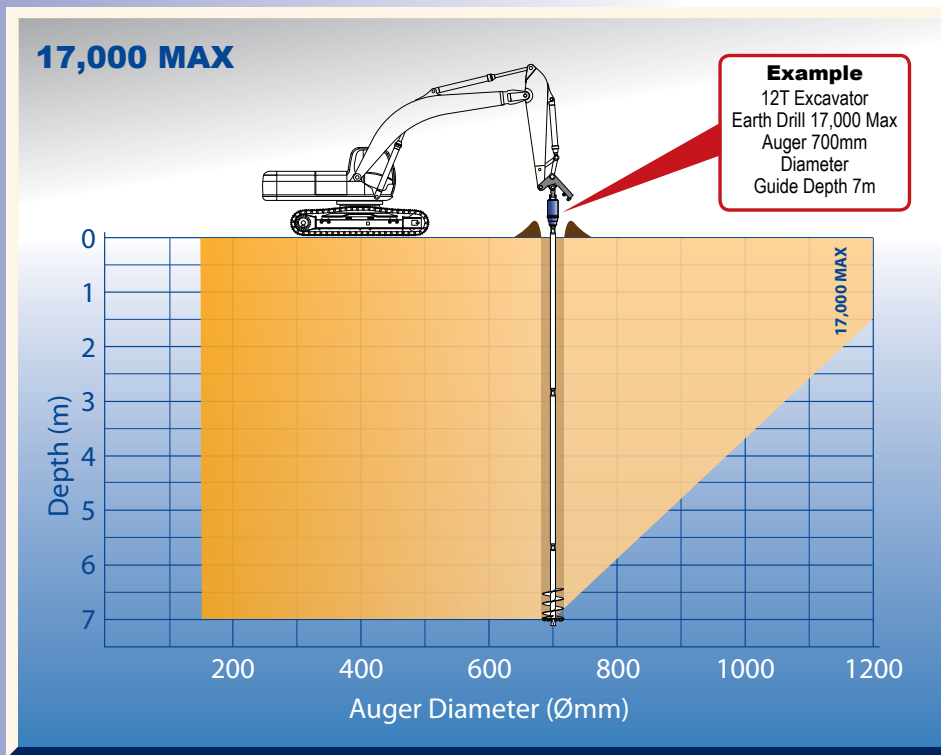
# Earth Drill Capability



**Excavators (2)**  
8 - 20 Tonnes

## Auger Torque Europe Ltd

Hazleton • Cheltenham • GL54 4DX • England  
Phone: +44 (0) 1451 861652 • Fax: +44 (0) 1451 861660  
Email: sales@augertorque.com

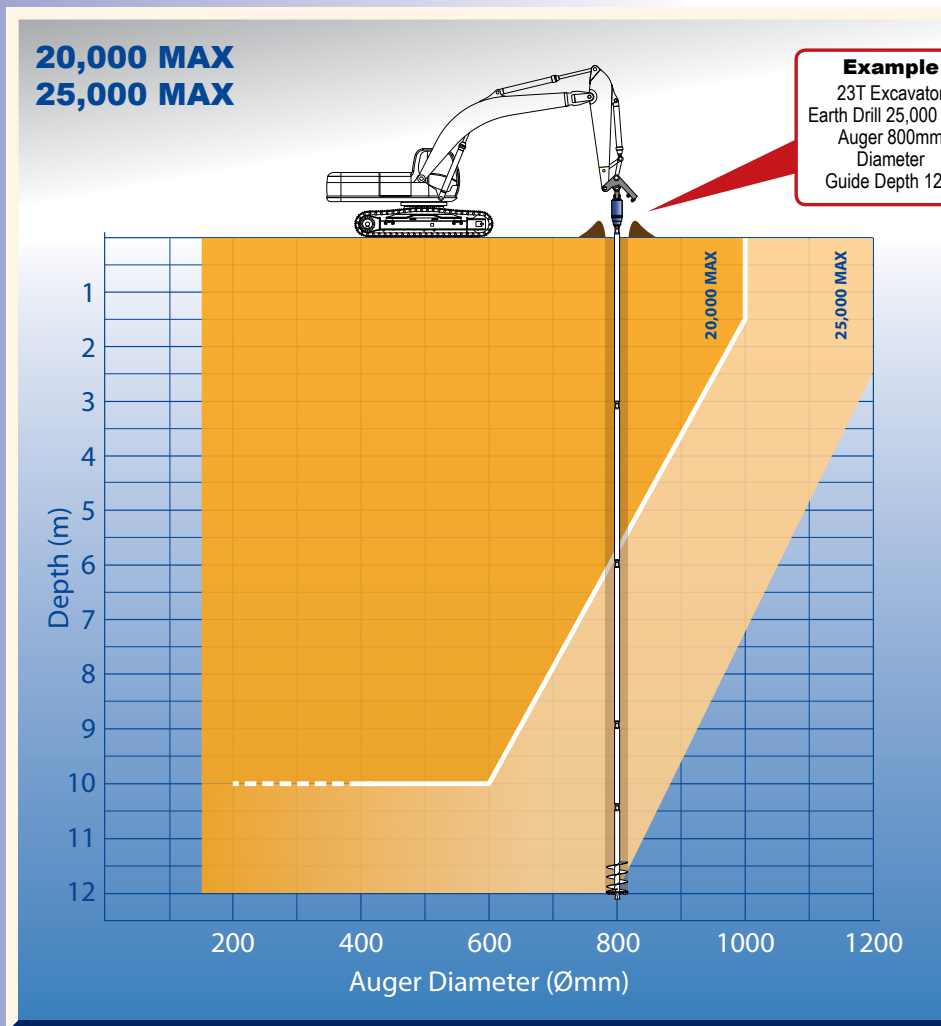


**Excavators (1)**  
12 - 23 Tonnes - Sight Glass

**Auger Torque Europe Ltd**

Hazleton • Cheltenham • GL54 4DX • England  
Phone: +44 (0) 1451 861652 • Fax: +44 (0) 1451 861660  
Email: [sales@augertorque.com](mailto:sales@augertorque.com)

# Earth Drill Capability

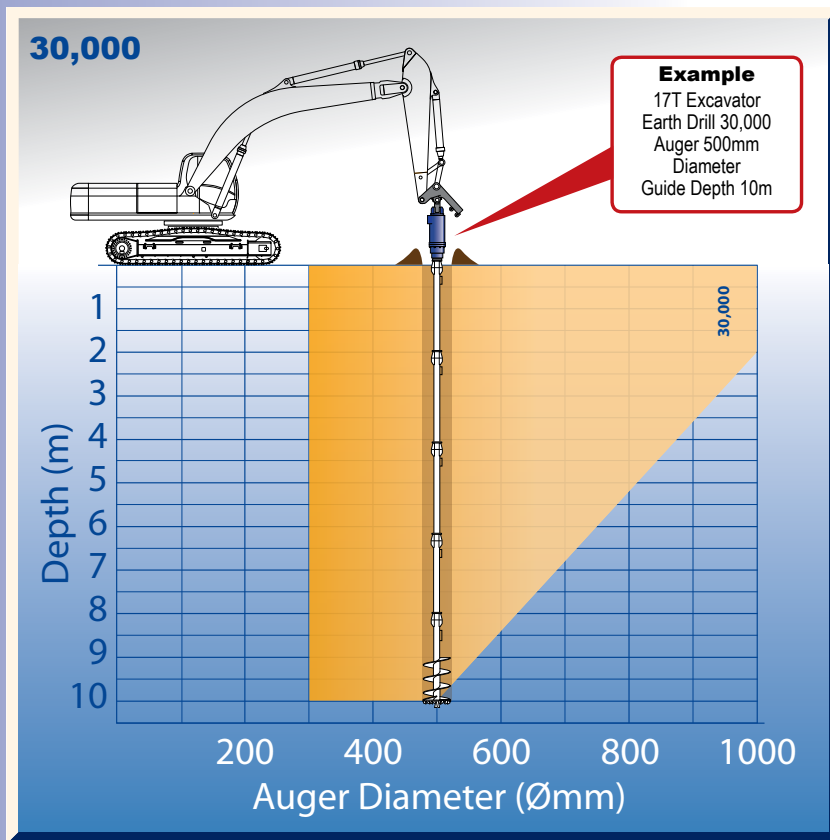


**Excavators (2)**  
12 - 23 Tonnes - Sight Glass

## Auger Torque Europe Ltd

Hazleton • Cheltenham • GL54 4DX • England  
Phone: +44 (0) 1451 861652 • Fax: +44 (0) 1451 861660  
Email: sales@augertorque.com

# Earth Drill Capability



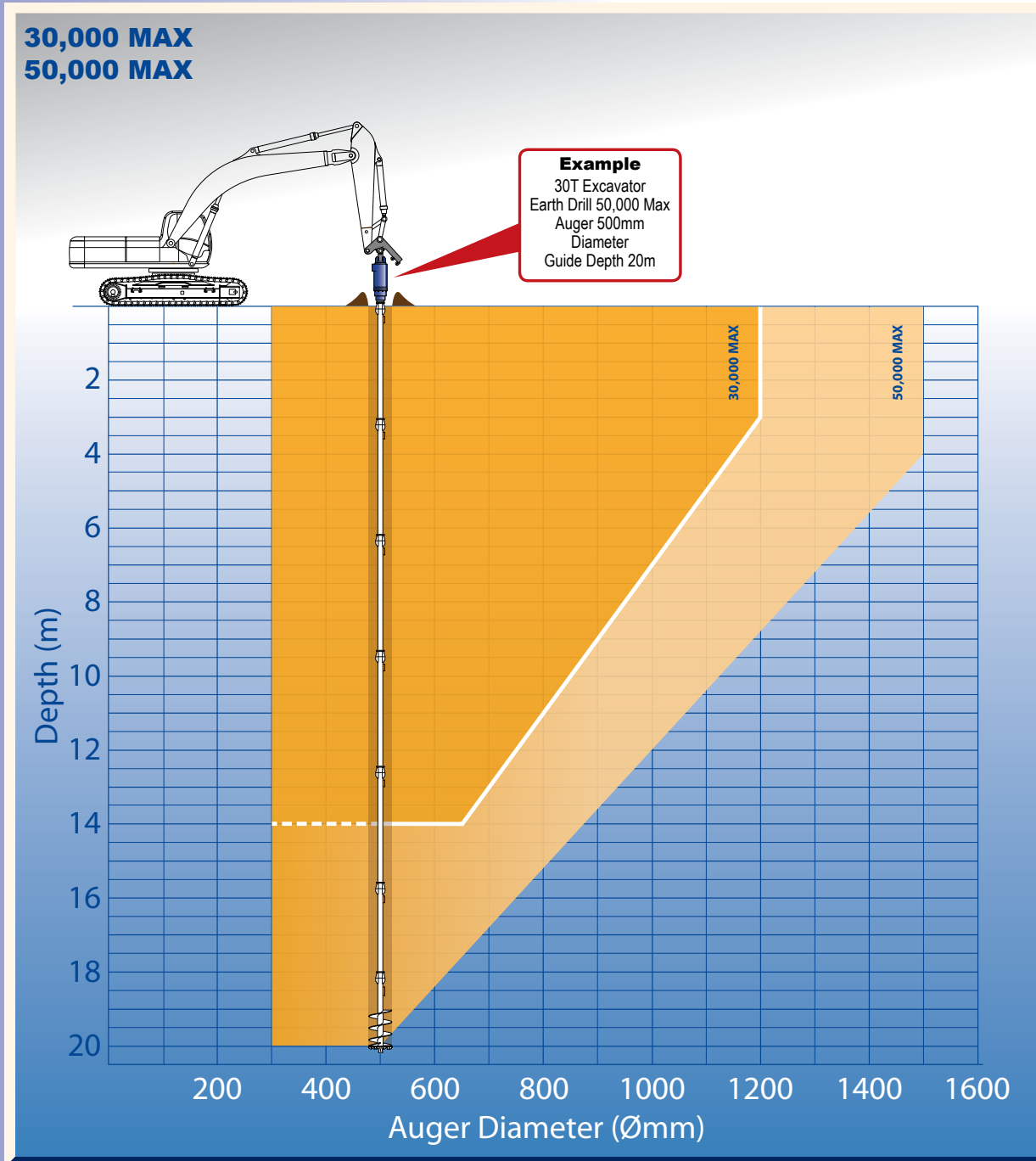
**Excavators (1)**  
17 - 45 Tonnes

## Auger Torque Europe Ltd

Hazleton • Cheltenham • GL54 4DX • England  
Phone: +44 (0) 1451 861652 • Fax: +44 (0) 1451 861660  
Email: [sales@augertorque.com](mailto:sales@augertorque.com)

# Earth Drill Capability

## Excavators (2) 17 - 45 Tonnes

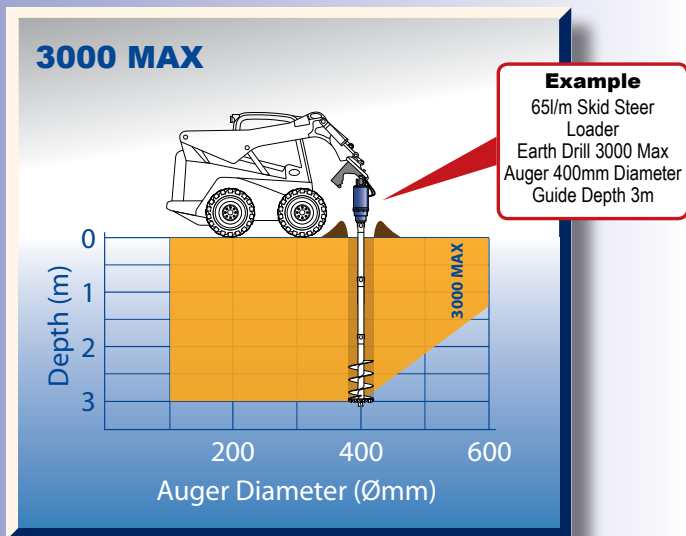


### Auger Torque Europe Ltd

Hazleton • Cheltenham • GL54 4DX • England

Phone: +44 (0) 1451 861652 • Fax: +44 (0) 1451 861660

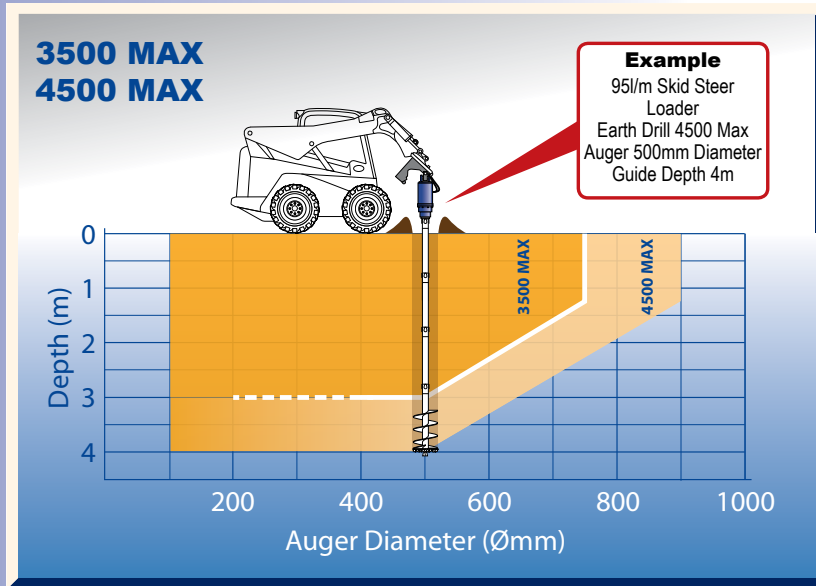
Email: [sales@augertorque.com](mailto:sales@augertorque.com)



## Low Flow Skid Steer Loaders (1)

### Auger Torque Europe Ltd

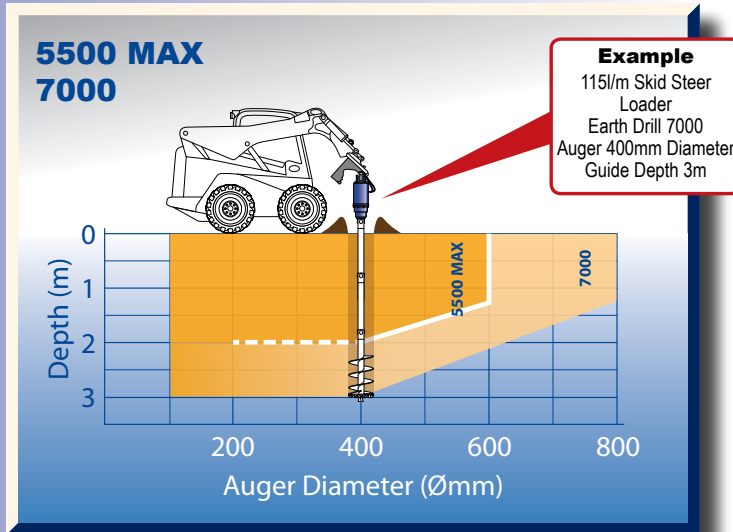
Hazleton • Cheltenham • GL54 4DX • England  
Phone: +44 (0) 1451 861652 • Fax: +44 (0) 1451 861660  
Email: [sales@augertorque.com](mailto:sales@augertorque.com)



## Low Flow Skid Steer Loaders (2)

**Auger Torque Europe Ltd**  
Hazleton • Cheltenham • GL54 4DX • England  
Phone: +44 (0) 1451 861652 • Fax: +44 (0) 1451 861660  
Email: [sales@augertorque.com](mailto:sales@augertorque.com)

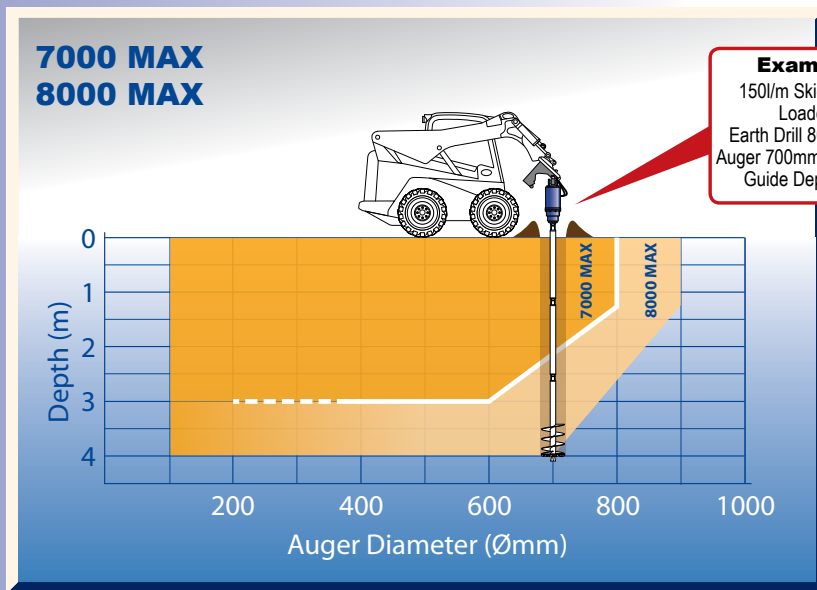
# Earth Drill Capability



## High Flow Skid Steer Loaders (1)

**Auger Torque Europe Ltd**  
Hazleton • Cheltenham • GL54 4DX • England  
Phone: +44 (0) 1451 861652 • Fax: +44 (0) 1451 861660  
Email: [sales@augertorque.com](mailto:sales@augertorque.com)



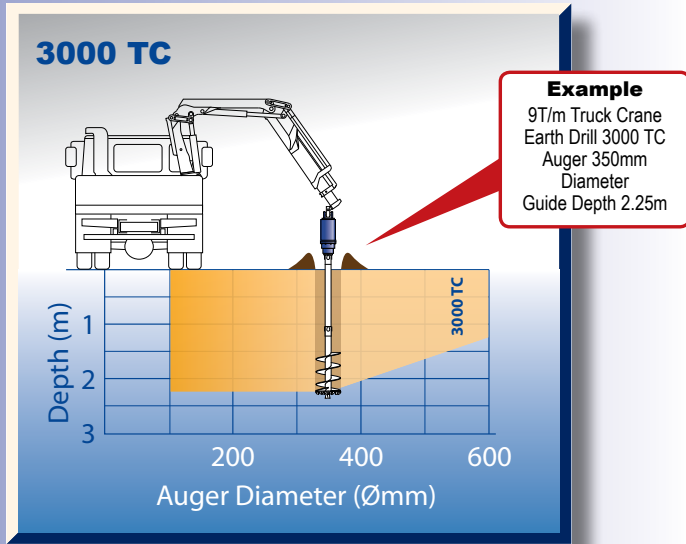


## High Flow Skid Steer Loaders (2)

### Auger Torque Europe Ltd

Hazleton • Cheltenham • GL54 4DX • England  
Phone: +44 (0) 1451 861652 • Fax: +44 (0) 1451 861660  
Email: [sales@augertorque.com](mailto:sales@augertorque.com)

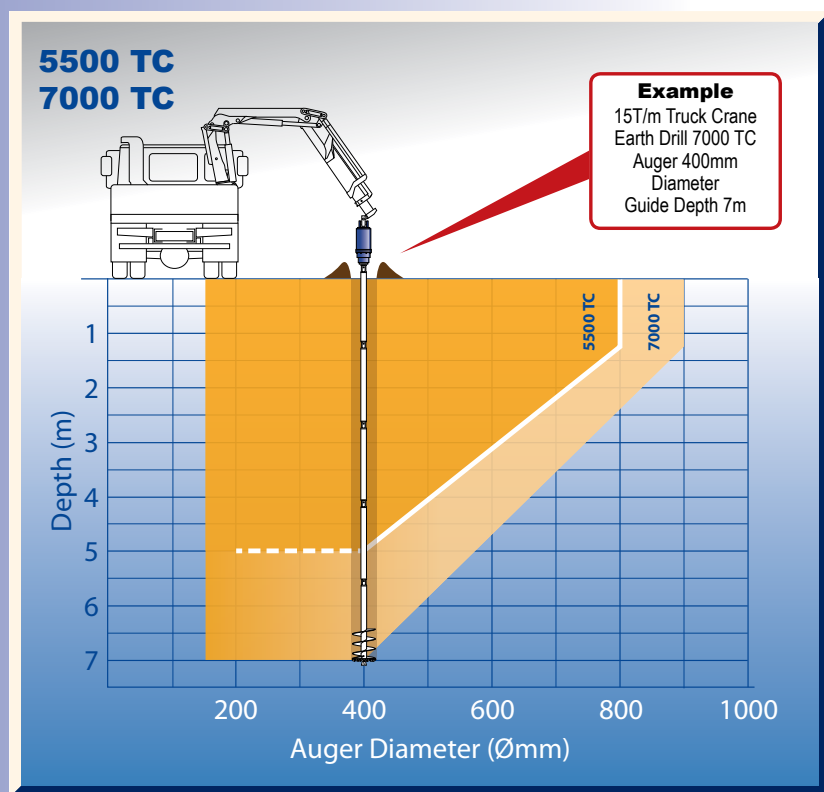
# Earth Drill Capability



**Truck Cranes (1)**  
Up To 15 Tonnes / Metre

## Auger Torque Europe Ltd

Hazleton • Cheltenham • GL54 4DX • England  
Phone: +44 (0) 1451 861652 • Fax: +44 (0) 1451 861660  
Email: [sales@augertorque.com](mailto:sales@augertorque.com)



**Truck Cranes (2)**  
Up To 15 Tonnes / Metre

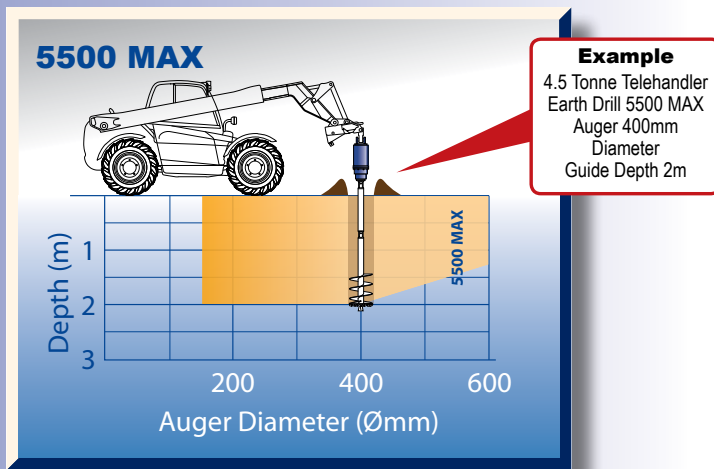
## Auger Torque Europe Ltd

Hazleton • Cheltenham • GL54 4DX • England

Phone: +44 (0) 1451 861652 • Fax: +44 (0) 1451 861660

Email: [sales@augertorque.com](mailto:sales@augertorque.com)

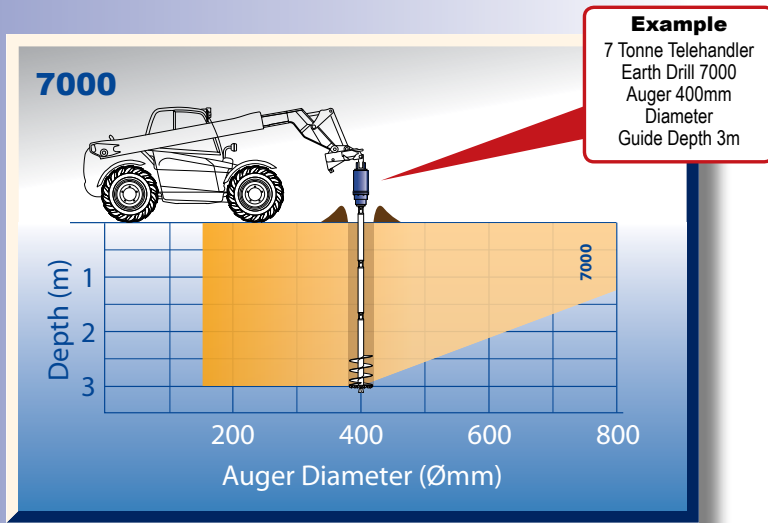
# Earth Drill Capability



**Telehandlers (1)**  
4.5 - 8 Tonnes

**Auger Torque Europe Ltd**  
Hazleton • Cheltenham • GL54 4DX • England  
Phone: +44 (0) 1451 861652 • Fax: +44 (0) 1451 861660  
Email: [sales@augertorque.com](mailto:sales@augertorque.com)

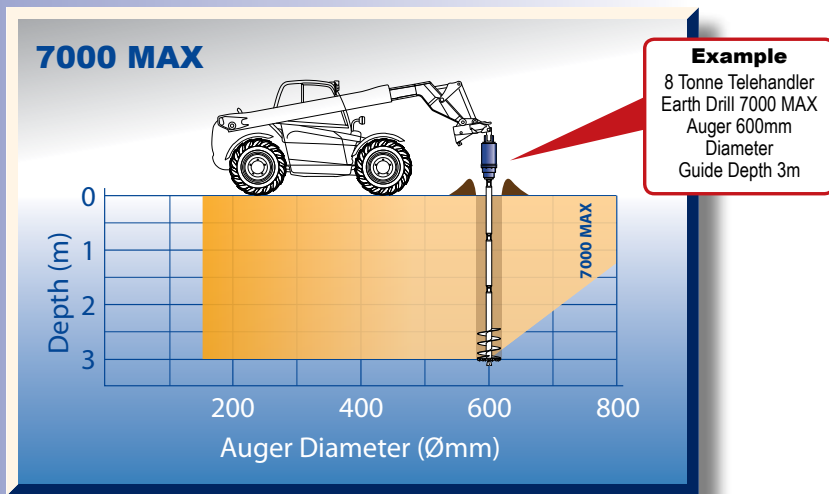
# Earth Drill Capability



**Telehandlers (2)**  
4.5 - 8 Tonnes

**Auger Torque Europe Ltd**  
Hazleton • Cheltenham • GL54 4DX • England  
Phone: +44 (0) 1451 861652 • Fax: +44 (0) 1451 861660  
Email: [sales@augertorque.com](mailto:sales@augertorque.com)

# Earth Drill Capability



**Telehandlers (3)**  
4.5 - 8 Tonnes

**Auger Torque Europe Ltd**  
Hazleton • Cheltenham • GL54 4DX • England  
Phone: +44 (0) 1451 861652 • Fax: +44 (0) 1451 861660  
Email: [sales@augertorque.com](mailto:sales@augertorque.com)