

Technical specifications



MINI EXCAVATORS 1 - 2.5 T (2,200 - 5,500 Lbs)

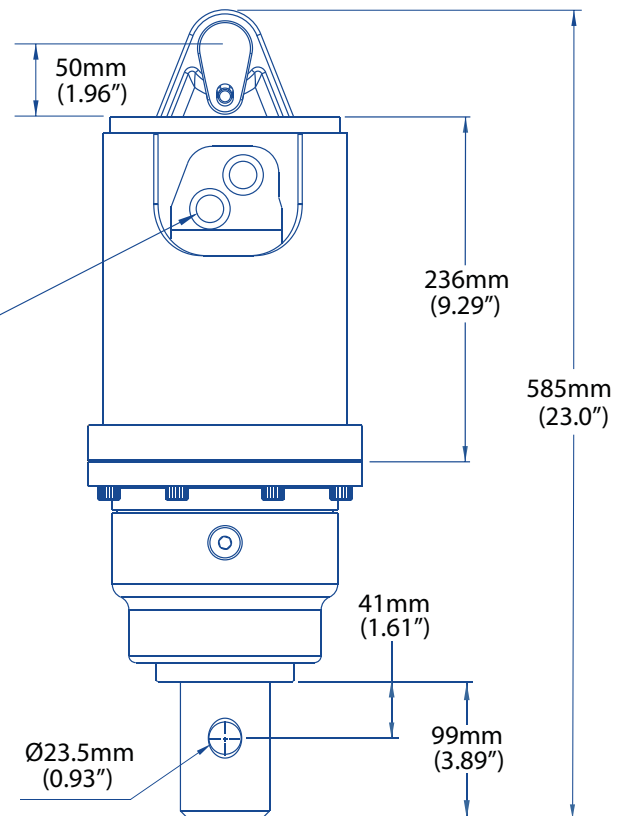
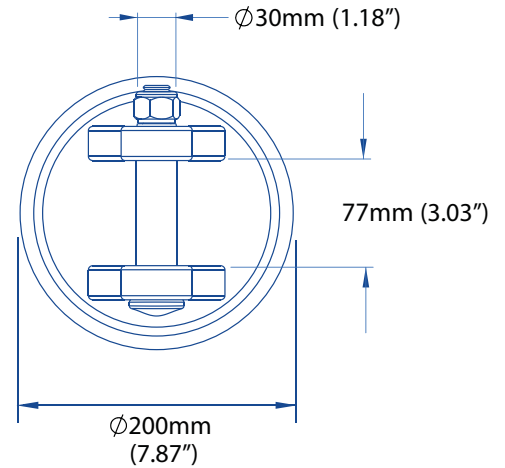
S4 AUGERS 100mm-450mm (4 in. - 18 in.) Dia

Torque Range: 639-2,190 Nm (471-1,615 ft-lb)
 Oil Pressure Range: 70-240 Bar (1,015-3,481 psi)
 Oil Flow Range: 25-57 lpm (7-15 gpm)
 Speed Range: 43-99 rpm

Unit Weight: 47 kg (104 lbs)

Hitch Options: Single Pin Hitch
 Double Pin Hitch
 Cradle Hitch

Output Shaft Std: 65mm (2.56") Round
 Output Shaft Opt: 2" (50.8mm) Hex
 57mm (2.25") Square



HOSE PORT Ø1/2" BSP

